

BIG RAIN Rain panel for ceiling installation or ceiling substructure installation - Brushed Stainless Steel

IMO

41 400 979



Fits: IMO, LULU, MADISON, MEM, TARA, CL.1, LISSÉ, VAIA, META, CYO

- Rain panel with 2 different spray modes
- PURIFY RAIN, 200 x 160 mm, max. flow rate 23.5 l/min (at 3 bar)
- FULL RAIN, 360 x 280 mm, max. flow rate 13.6 l/min (at 3 bar)
- cover plate, stainless steel 600 x 480 mm
- 2x flexible connection hose 1/2" - female thread
- 4x mounting pin
- pre-fitted stainless steel enclosure
- with anti-scale system



technical data:

- minimum flow rate 25 l/min (both rain modes together)
- flow at 3bar flow pressure in conjunction with xTOOL: 39l/min
- minimum flow pressure 2 bar
- max. flow pressure 4 bar
- weight: 12kg

technical data:

plumbing:

- recommended water hardness: 6-7 °dH - if the water is harder, integrate a water softener that uses the ion exchange principle into the feed pipe.
- for choosing the drainage, taking into consideration the discharge of all the products in the shower, the specific demand needs to be assessed.
Recommendation: Floor drain (connected rating) = 1l/sec, drainage rate DN 50
- feed pipe (hot/cold): 2x DN 20
- for the optimum choice of hot water storage device - taking into consideration additional drawing-off points and the frequency with which BigRain is used - the specific demand needs to be assessed.

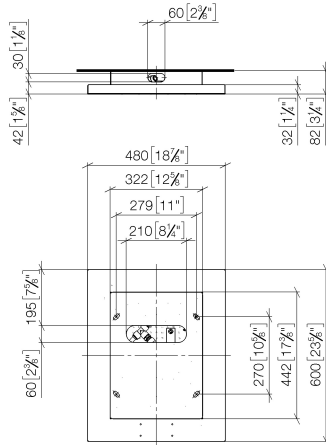
| | | |
|---|-------------------------|---------------|
|  | Brushed Stainless Steel | 41 400 979-86 |
|  | Stainless Steel | 41 400 979-85 |

Recommended miscellaneous

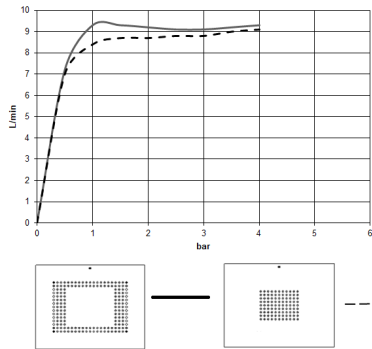


- BIG RAIN Cover for supply pipes - 12 940 979-86**
Brushed Stainless Steel
- length 450-480 mm
 - for ceiling substructure installation
 - stainless steel cover 125 x 50 mm

41 400 979
mm [inches]



Flow rate chart



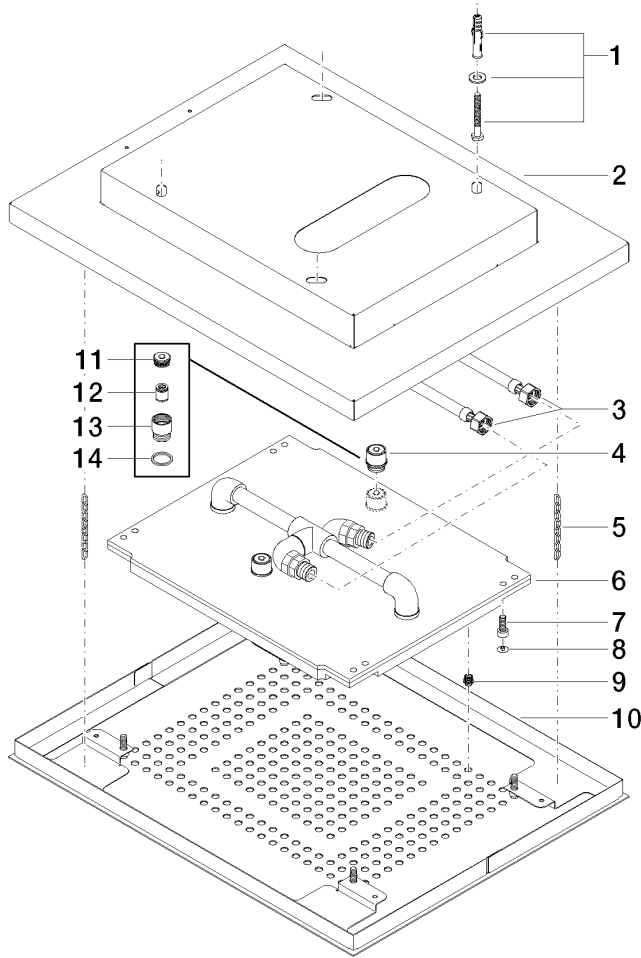
Certificates

LGA_18146.

**BIG RAIN Rain panel for ceiling installation or ceiling substructure installation -
Brushed Stainless Steel**

41 400 979

Parts for other
finishes can be found
here: [Stainless Steel](#)



Spare parts list

| No. | Item Number | Name | Quantity used | Delivery time |
|-----|--------------------|---|---------------|---------------|
| 1 | 04 30 35 010 00 90 | fixing set | 1 | 2 |
| 2 | 04 17 09 001 00-86 | casing | 1 | 30 |
| 3 | 12 502 970 90 | High pressure hose 1/2" x 1/2" x 400 mm - | 1 | 2 |
| 4 | 90 24 03 027 02 90 | nipple | 2 | 2 |
| 5 | 04 21 50 004 01 90 | accessories | 2 | 2 |
| 7 | 09 30 30 155 90 | screw | 4 | 2 |
| 8 | 09 31 20 036 90 | plug | 4 | 2 |
| 9 | 04 29 03 035 00 90 | insert | 241 | 60 |
| 10 | 04 11 02 113 02-86 | cover | 1 | 30 |
| 11 | 09 24 04 112 10 90 | nipple | 1 | 2 |
| 12 | 09 23 01 042 90 | insert | 1 | 2 |
| 13 | 09 24 03 027 90 | nipple | 1 | 2 |
| 14 | 09 14 20 025 90 | seal | 1 | 2 |